

1964-65 Ford Mustang

Parking Brake Cables Stainless OE Steel

REM10	64 Rear Cable, Each 2 Required	\$45.00	\$39.00
REM11	65 Rear Cable, Each 2 Required	\$45.00	\$39.00
CEC0047	Cable Clip 2 Required, Each	\$2.00	\$2.00

1966 Ford Mustang

Parking Brake Cables Stainless OE Steel

REM20	Rear Cable, Loops for Both Wheels Outer Housing 22"	\$89.00	\$68.00
REM40	Rear Cable, Loops for Both Wheels Outer Housing 44"	\$98.00	\$78.00
CEC0047	Cable Clip 2 Required, Each	\$2.00	\$2.00

1967-68 Ford Mustang

Parking Brake Cables Stainless OE Steel

REM31	67 Rear Cable, Each 2 Required Rear Equal Length Cables 83 3/8"	\$49.00	\$39.00
REM30	68 Rear Cable, Pair 2 Required Pair One Long, One Short-Inner	\$88.00	\$68.00
CEC0047	Cable Clip 2 Required, Each	\$2.00	\$2.00

1969-70 Ford Mustang

Parking Brake Cables Stainless OE Steel

FTM50	Front Cable	\$49.00	\$39.00
REM50	Rear Cable, Pair 2 Required Pair One Long, One Short-Inner	\$88.00	\$68.00
CEC0047	Cable Clip 2 Required, Each	\$2.00	\$2.00

1971-73 Ford Mustang

Parking Brake Cables Stainless OE Steel

FTM60	Front Cable	\$49.00	\$39.00
REM60	Rear Cable, Pair 2 Required Pair One Long, One Short-Inner	\$88.00	\$68.00
CEC0047	Cable Clip 2 Required, Each	\$2.00	\$2.00

1968-69 Mercury Cougar

Parking Brake Cables Stainless OE Steel

REM69	Rear Cable, Short Each	\$65.00	\$50.00
REM69A	Rear Cable, Long Each	\$65.00	\$55.00

1970 Mercury Cougar

Parking Brake Cables Stainless OE Steel

FTM70F	Front Cable,	\$60.00	\$50.00
REM70	Rear Cable, Short Each	\$60.00	\$50.00
REM70A	Rear Cable, Long Each	\$65.00	\$55.00

1963-64 Mercury Comet

Parking Brake Cables Stainless OE Steel

REF70	Rear Cable, Each loop	\$120.00	\$95.00
CEC0047	Cable Clip 2 Required, Each	\$2.00	\$2.00

1969 Mercury Cyclone

Parking Brake Cables Stainless OE Steel

FTM10	Front Cable, Each	\$60.00	\$50.00
REM10	Rear Cable, Short Each	\$60.00	\$50.00
REM10A	Rear Cable, Long Each	\$65.00	\$55.00

1970 Mercury Cyclone

Parking Brake Cables Stainless OE Steel

REM11	Rear Cable, Short Each	\$60.00	\$50.00
REM11A	Rear Cable, Long Each	\$65.00	\$55.00

1970-71 Ford Torino

Parking Brake Cables Stainless OE Steel

FTF80	Front Cable, Each	\$69.00	\$55.00
REF80	Rear Cable, Short Each	\$60.00	\$50.00
REF80a	Rear Cable, Long Each	\$70.00	\$60.00
CEC0048	Cable Clip 2 Required, Each	\$2.00	\$2.00

1972-76 Ford Torino

Parking Brake Cables Stainless OE Steel

FTF82	Front Cable, Each	\$70.00	\$60.00
INF82	Inter Cable	\$25.00	\$20.00
REF82	Rear Cable, Each	\$65.00	\$55.00
CEC0048	Cable Clip 2 Required, Each	\$2.00	\$2.00

1955-57 Ford T-Bird

Parking Brake Cables Stainless OE Steel

FTF90	Front Cable, Each	\$70.00	\$60.00
REF90	Rear Cable, 1 Loop for Both Rear	\$110.00	\$95.00
CEC0048	Cable Clip 2 Required, Each	\$2.00	\$2.00

1958-60 Ford T-Bird

Parking Brake Cables Stainless OE Steel

REF91	Rear Cable, Each	\$75.00	\$65.00
CEC0048	Cable Clip 2 Required, Each	\$2.00	\$2.00

1961-63 Ford T-Bird

Parking Brake Cables Stainless OE Steel

REF92	Rear Cable, Each	\$75.00	\$65.00
CEC0048	Cable Clip 2 Required, Each	\$2.00	\$2.00

1965-66 Ford T-Bird

Parking Brake Cables Stainless OE Steel

REF93	Rear Cable, Each	\$75.00	\$65.00
CEC0048	Cable Clip 2 Required, Each	\$2.00	\$2.00

When ordering **Stainless Steel cables**, please place an "S" in front of the part number.

All cables are assembled identical to factory originals with correct spring wrap.

1949-51 Ford Pass Car

	<u>Parking Brake Cables</u>	<u>Stainless</u>	<u>OE Steel</u>
REF10	Rear Cable, Loops For Both Wheels	\$115.00	\$99.00
CEC0047	Cable Clip 2 Required, Each	\$2.00	\$2.00

1952-53 Ford Pass Car

	<u>Parking Brake Cables</u>	<u>Stainless</u>	<u>OE Steel</u>
REF11	Rear Cable, Loops For Both Wheels	\$115.00	\$99.00
CEC0047	Cable Clip 2 Required, Each	\$2.00	\$2.00

1954-56 Ford Pass Car

	<u>Parking Brake Cables</u>	<u>Stainless</u>	<u>OE Steel</u>
REF20	Rear Cable, Loops For Both Wheels	\$115.00	\$99.00
CEC0047	Cable Clip 2 Required, Each	\$2.00	\$2.00

1957-58 Ford Fairlane

	<u>Parking Brake Cables</u>	<u>Stainless</u>	<u>OE Steel</u>
REF30	Rear Cable, Each, Convrt / Retract	\$70.00	\$55.00
REF32	Rear Cable, Each, Hardtop	\$70.00	\$55.00
CEC0047	Cable Clip 2 Required, Each	\$2.00	\$2.00

1959 Ford Fairlane

	<u>Parking Brake Cables</u>	<u>Stainless</u>	<u>OE Steel</u>
REF31	Rear Cable, Each	\$65.00	\$55.00
CEC0047	Cable Clip 2 Required, Each	\$2.00	\$2.00

1960 Ford Fairlane

	<u>Parking Brake Cables</u>	<u>Stainless</u>	<u>OE Steel</u>
REF33	Rear Cable, Each	\$65.00	\$55.00
CEC0047	Cable Clip 2 Required, Each	\$2.00	\$2.00

1964 Ford Fairlane

	<u>Parking Brake Cables</u>	<u>Stainless</u>	<u>OE Steel</u>
REF34	Rear Cable, Loops For Both Wheels	\$115.00	\$99.00
CEC0047	Cable Clip 2 Required, Each	\$2.00	\$2.00

1966 Ford Fairlane

	<u>Parking Brake Cables</u>	<u>Stainless</u>	<u>OE Steel</u>
FTF35	Front Cable, Each	\$70.00	\$55.00
REF36	Rear Cable, Each	\$65.00	\$55.00
CEC0047	Cable Clip 2 Required, Each	\$2.00	\$2.00

1960-63 Ford Falcon

	<u>Parking Brake Cables</u>	<u>Stainless</u>	<u>OE Steel</u>
REF37	Rear Cable, Loops For Both Wheels	\$110.00	\$90.00
CEC0047	Cable Clip 2 Required, Each	\$2.00	\$2.00

1970 Ford Maverick

	<u>Parking Brake Cables</u>	<u>Stainless</u>	<u>OE Steel</u>
REF101	Rear Cable, Each	\$70.00	\$55.00

1972 Ford Maverick

	<u>Parking Brake Cables</u>	<u>Stainless</u>	<u>OE Steel</u>
REF102	Rear Cable, Short, Each	\$65.00	\$50.00
REF102a	Rear Cable, Long, Each	\$70.00	\$55.00

1975-78 Ford Granada

	<u>Parking Brake Cables</u>	<u>Stainless</u>	<u>OE Steel</u>
FTF121	Front Cable, Each	\$70.00	\$55.00
INF121	Inter Cable - With Threaded Rod	\$25.00	\$20.00
REF121	Rear Cable, Each	\$65.00	\$50.00
	Customer to Send In Plastic Retainers		
CEC0047	Cable Clip 2 Required, Each	\$2.00	\$2.00

1975-78 Lincoln Versailles

	<u>Parking Brake Cables</u>	<u>Stainless</u>	<u>OE Steel</u>
REF122	Rear Cable, Each	\$65.00	\$50.00
	Customer to Send In Plastic Retainers		
CEC0048	Cable Clip 2 Required, Each	\$2.00	\$2.00

1961-62 Ford Galaxie

	<u>Parking Brake Cables</u>	<u>Stainless</u>	<u>OE Steel</u>
REF40	Rear Cable, Each	\$70.00	\$55.00
CEC0047	Cable Clip 2 Required, Each	\$2.00	\$2.00

1963-64 Ford Galaxie

	<u>Parking Brake Cables</u>	<u>Stainless</u>	<u>OE Steel</u>
REF41	Rear Cable, Each	\$70.00	\$55.00
CEC0047	Cable Clip 2 Required, Each	\$2.00	\$2.00

1965 Ford Galaxie

	<u>Parking Brake Cables</u>	<u>Stainless</u>	<u>OE Steel</u>
REF43	Rear Cable, Each	\$70.00	\$55.00
CEC0047	Cable Clip 2 Required, Each	\$2.00	\$2.00

1966-67 Ford Galaxie

	<u>Parking Brake Cables</u>	<u>Stainless</u>	<u>OE Steel</u>
FTF42	Front Cable, Each	\$70.00	\$55.00
REF42	Rear Cable, Short	\$65.00	\$55.00
REF42a	Rear Cable, Long	\$85.00	\$75.00
CEC0047	Cable Clip 2 Required, Each	\$2.00	\$2.00

1950-51 Mercury

	<u>Parking Brake Cables</u>	<u>Stainless</u>	<u>OE Steel</u>
REF12	Rear Cable, 1950 Merc	\$125.00	\$110.00
REF13	Rear Cable, 1951 Merc	\$125.00	\$110.00
FTF13	Front Cable, 1951 Merc	\$70.00	\$55.00
CEC0047	Cable Clip 2 Required, Each	\$2.00	\$2.00

See our online catalog: www.InlineTube.com

1954-56 Ford Truck F-100 2wd

	<u>Parking Brake Cables</u>	<u>Stainless</u>	<u>OE Steel</u>
RET10	54 Rear Cable, 1 Loop for Both	\$125.00	\$110.00
RET11	55 Rear Cable, 1 Loop for Both	\$125.00	\$110.00
RET12	56 Rear Cable, 1 Loop for Both	\$125.00	\$110.00
CEC0047	Cable Clip 2 Required, Each	\$2.00	\$2.00

1960 Ford Truck F-100 2wd

	<u>Parking Brake Cables</u>	<u>Stainless</u>	<u>OE Steel</u>
FTT20	60 Front Brake Cable	\$70.00	\$55.00

1963-64 Ford Truck

	<u>Parking Brake Cables</u>	<u>Stainless</u>	<u>OE Steel</u>
FTT6301	63 F-250 4wd Front Cable	\$80.00	\$65.00
FTT6401	64 F-250 4wd Front Cable	\$80.00	\$65.00
RET6303	63-64 F-250 4wd Long Bed Rear Cables (2 Sold as Pair)	\$160.00	\$140.00
RET6301	64 F-100 2wd Long Bed Rear Cables (2 Sold as Pair)	\$140.00	\$120.00
RET6302	64 F-100 2wd Short Bed Rear Cables (2 Sold as Pair)	\$140.00	\$120.00

1966 Ford Truck

	<u>Parking Brake Cables</u>	<u>Stainless</u>	<u>OE Steel</u>
FTT21	66 F-100 2wd Front Cable	\$80.00	\$65.00
RET20	66 F-100 2wd Short Bed Rear Cables (2 Sold as Pair) 1 Long, 1 Shorter	\$140.00	\$120.00
RET21	66 F-100 2wd Long Bed Rear Cables (2 Sold as Pair) 1 Long, 1 Shorter	\$145.00	\$125.00
RET22	66 F-250 2wd Long Bed Rear Cables (2 Sold as Pair) Leaf Rear	\$140.00	\$120.00
RET23	66 F-100 4wd Short Bed Rear Cables (2 Sold as Pair)	\$165.00	\$125.00
CEC0047	Cable Clip 2 Required, Each	\$2.00	\$2.00

1967 Ford Truck

	<u>Parking Brake Cables</u>	<u>Stainless</u>	<u>OE Steel</u>
FTT6701	67 F-100 2wd Front Cable	\$80.00	\$65.00
RET26	67 F-250 2wd Long Bed Rear Cables (2 Sold as Pair)	\$140.00	\$125.00
RET6702	67 F-250 4wd Long Bed Rear Cables (2 Sold as Pair)	\$160.00	\$140.00
CEC0047	Cable Clip 2 Required, Each	\$2.00	\$2.00

1968 Ford Truck F-250 4wd

	<u>Parking Brake Cables</u>	<u>Stainless</u>	<u>OE Steel</u>
FTT28	68 Front Brake Cable F-250 4wd	\$80.00	\$65.00
RET6801	68 F-250 2wd Long Bed Rear Cables (2 Sold as Pair)	\$140.00	\$125.00



If you have a brake question, we have the answer. We have been working on brake systems for over 15 years. Give us a call, we can help.

1969 Ford Truck

	<u>Parking Brake Cables</u>	<u>Stainless</u>	<u>OE Steel</u>
RET28	69 F-100 2wd Short Bed Rear Cables (2 Sold as Pair)	\$145.00	\$125.00
RET6901	69 F-250 4wd Long Bed Rear Cables (2 Sold as Pair)	\$160.00	\$140.00
CEC0047	Cable Clip 2 Required, Each	\$2.00	\$2.00

1970 Ford Truck

	<u>Parking Brake Cables</u>	<u>Stainless</u>	<u>OE Steel</u>
RET7001	70 F-100 2wd Long Bed Rear Cables (2 Sold as Pair)	\$145.00	\$125.00
IN T7002	70 F-100 2wd Long Bed Short Jumper Cables (2 Sold as Pair) 16 1/4" long	\$25.00	\$18.00
CEC0047	Cable Clip 2 Required, Each	\$2.00	\$2.00

1971 Ford Truck

	<u>Parking Brake Cables</u>	<u>Stainless</u>	<u>OE Steel</u>
RET30	71 F-250 2wd Long Bed Rear Cables (2 Sold as Pair)	\$145.00	\$125.00
CEC0047	Cable Clip 2 Required, Each	\$2.00	\$2.00

1972 Ford Truck

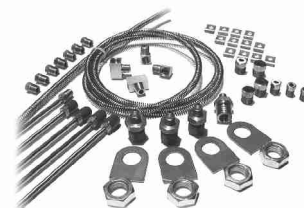
	<u>Parking Brake Cables</u>	<u>Stainless</u>	<u>OE Steel</u>
FTT30	72 F-100 2wd Long Front Cable	\$80.00	\$65.00
FTT31	72 F-250 2wd Long Front Cable	\$80.00	\$65.00
RET31	72 F-250 2wd Long Bed Rear Cables (2 Sold as Pair)	\$145.00	\$125.00
CEC0047	Cable Clip 2 Required, Each	\$2.00	\$2.00

1973 Ford Truck

	<u>Parking Brake Cables</u>	<u>Stainless</u>	<u>OE Steel</u>
RET34	73 F-250 2wd Long Bed Rear Cables (2 Sold as Pair)	\$145.00	\$125.00
RET7302	73 F-250 4wd Long Bed Rear Cables (2 Sold as Pair)	\$145.00	\$125.00
CEC0047	Cable Clip 2 Required, Each	\$2.00	\$2.00

1974 Ford Truck

	<u>Parking Brake Cables</u>	<u>Stainless</u>	<u>OE Steel</u>
RET36	74 F-100 2wd Long Bed Rear Cables (2 Sold as Pair) Equal Length Rears	\$140.00	\$120.00
CEC0047	Cable Clip 2 Required, Each	\$2.00	\$2.00



Did you know that Inline Tube makes straight line sets for all those guys plumbing cars with modified systems? Preformed lines are not always the answer.

All cables are assembled identical to factory originals with correct spring wrap.

1975 Ford Truck

	<u>Parking Brake Cables</u>	<u>Stainless</u>	<u>OE Steel</u>
RET37	75 F-250 2wd Long Bed Rear	\$140.00	\$120.00
	Cables (2 Sold as Pair) Equal Length Rears		
CEC0047	Cable Clip 2 Required, Each	\$2.00	\$2.00

1977 Ford Truck

	<u>Parking Brake Cables</u>	<u>Stainless</u>	<u>OE Steel</u>
FTT7701	77 F-250 4wd Long Front Cable	\$85.00	\$70.00
RET7701	77 F-250 4wd Long Bed Rear	\$160.00	\$140.00
	Cables (2 Sold as Pair)		
CEC0047	Cable Clip 2 Required, Each	\$2.00	\$2.00

1979 Ford Truck

	<u>Parking Brake Cables</u>	<u>Stainless</u>	<u>OE Steel</u>
RET40	79 F-250 4wd Long Bed Rear	\$145.00	\$125.00
	Cables (2 Sold as Pair) Different Length Rears		
CEC0047	Cable Clip 2 Required, Each	\$2.00	\$2.00

1981 Ford Truck

	<u>Parking Brake Cables</u>	<u>Stainless</u>	<u>OE Steel</u>
FTT51	81 F-150 2wd Long Front Cable	\$80.00	\$65.00
RET51	81 F-150 2wd Long Bed Rear	\$145.00	\$125.00
	Cables (2 Sold as Pair)		
CEC0047	Cable Clip 2 Required, Each	\$2.00	\$2.00

1982 Ford Truck

	<u>Parking Brake Cables</u>	<u>Stainless</u>	<u>OE Steel</u>
RET8201	82 F-250 4wd Long Bed Rear	\$160.00	\$140.00
	Cables (2 Sold as Pair)		
CEC0047	Cable Clip 2 Required, Each	\$2.00	\$2.00

1983 Ford Truck

	<u>Parking Brake Cables</u>	<u>Stainless</u>	<u>OE Steel</u>
FTT8301	83 F-250 4wd Long Front Cable	\$85.00	\$75.00
RET8301	83 F-250 4wd Long Bed Rear	\$160.00	\$140.00
	Cables (2 Sold as Pair) Different Length Rears		
CEC0047	Cable Clip 2 Required, Each	\$2.00	\$2.00

1984 Ford Truck

	<u>Parking Brake Cables</u>	<u>Stainless</u>	<u>OE Steel</u>
FTT8401	84 F-150 4wd Short Front Cable	\$85.00	\$75.00
RET8401	84 F-150 4wd Short Bed Rear	\$1180.00	\$160.00
	Cables (2 Sold as Pair) Different Length Rears		
CEC0047	Cable Clip 2 Required, Each	\$2.00	\$2.00



Inline Tube ships out over 100 orders a day with 2 Federal Express pickups each day, so in stock orders can go out the same day.

See our online catalog: www.InlineTube.com



Inline Tube manufactures thousands of parts and has end forming machines for every style crimp from the 40's to current day. We can make any parking brake cable.

All Inline cables are available in premium grade stainless steel, or authentic original steel.



Inline Tube is the only company that stocks thousands of lines so your order can be pulled and shipped the same day. Service is what you want and that is what you get at Inline Tube.



If you are building a street rod or a custom car, order a straight length catalog which has all the building materials you will need to get your plumbing job done.



Inline Tube is the industry leading manufacturer of preformed tubing.



Professional restoration shops have made Inline Tube their first choice in plumbing and brake products.

Inline Tube is on the Internet. See our online catalog: www.InlineTube.com

When ordering **Stainless Steel Lines** Please place a "S" in front of the part number.



Lines come preformed with the factory fittings and spring wrap exact to the factory originals.

Brake Cables - AMC - Javelin, AMX

Parking Brake Cable Sets

1968-70 AMC AMX / Javelin / Hornet

	<u>Parking Brake Cables</u>	<u>Stainless</u>	<u>OE Steel</u>
FT590	Front Cable Parking Cable - AMX	\$75.00	\$60.00
RE591	Rear Cable Short Cable - All	\$70.00	\$55.00
RE592	Rear Cable Long Cable - All	\$80.00	\$65.00
PBK04	Cable Clip Each	\$2.00 OE	\$2.00
	<u>The Entire Set</u>		
BSX6301	Complete Cable Set - AMX	\$179.00	\$159.00

1971-74 AMC AMX / Javelin / Hornet

	<u>Parking Brake Cables</u>	<u>Stainless</u>	<u>OE Steel</u>
FT593	Front Cable Parking Cable	\$75.00	\$60.00
RE593	Rear Cable Short Cable	\$59.00	\$49.00
RE594	Rear Cable Long Cable	\$69.00	\$59.00
PBK04	Cable Clip Each	\$2.00 OE	\$2.00
	<u>The Entire Set</u>		
BSX7101	Complete Cable Set	\$179.00	\$159.00

1967 AMC Rambler / Rebel

	<u>Parking Brake Cables</u>	<u>Stainless</u>	<u>OE Steel</u>
RE582	Rear Cable Short Cable	\$70.00	\$55.00
RE583	Rear Cable Long Cable	\$80.00	\$65.00

1968-70 AMC Rebel / Machine

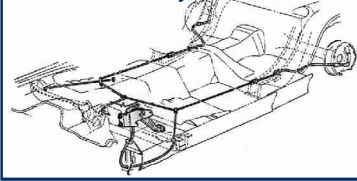
	<u>Parking Brake Cables</u>	<u>Stainless</u>	<u>OE Steel</u>
FT598	Front Cable Parking Cable	\$75.00	\$60.00
RE598	Rear Cable Short Cable	\$70.00	\$55.00
RE599	Rear Cable Long Cable	\$80.00	\$65.00
PBK04	Cable Clip Each	\$2.00 OE	\$2.00
	<u>The Entire Set</u>		
BSX6801	Complete Cable Set - Rebel	\$179.00	\$159.00

When ordering **Stainless Steel cables**, please place an "S" in front of the part number.



At Inline Tube your credit card is only processed after the parts are made and ready for shipment, never weeks before.

1970-74 E-Body



MH003



MH001

MH002



EC0041M1



EC0041M2



EC0042M



EC0041M



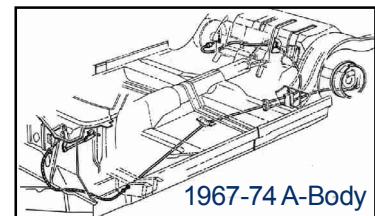
PBK03



MBOOT01



PBK04



1967-74 A-Body

Mopar Cable Hardware

Part #	Description	Retail
MH002	70-74 E-Body Cross Mount Hook	\$7.00
MH001	70-74 E-Body Large Threaded Hook	\$12.50
MH003	67-74 A-Body Large Threaded Hook	\$12.50
EC0042M	Mopar Connector, All Cars with Intermediate	\$5.00
EC0041M1	Mopar Cable Guide, All Cars with Intermediate	\$6.00
EC0041M	Mopar Equalizer, All Cars with No Intermediate	\$7.00
EC0041M2	Mopar Equalizer, All Cars with Intermediate	\$5.00
MBOOT01	Mopar Front Cable Boot	\$12.00
PBK04	Mopar Rear Cable Clip	\$2.00
PBK03	Mopar Front Cable Retainer	\$3.50

1963-66 A-Body Brake Cables

<u>Parking Brake Cables</u>		<u>Stainless</u>	<u>OE Steel</u>
FT580	Front Cable Parking Cable	\$60.00	\$50.00
IN581	Intermediate Cable	\$20.00	\$16.00
RE581	Rear Cable, Each	\$60.00	\$50.00
EC0041M2	Mopar Equalizer	\$5.00 OE	\$5.00
EC0042M	Connectors: Inter to Rear, Each	\$5.00 OE	\$5.00
PBK04	Cable Clip 3 Required, Each	\$2.00 OE	\$2.00
<u>The Entire Set</u>		<u>Stainless</u>	<u>OE Steel</u>
BSA6301	Complete Cable Set - Plymouth	\$179.00	\$139.00
BSA6302	Complete Cable Set - Dodge	\$179.00	\$139.00

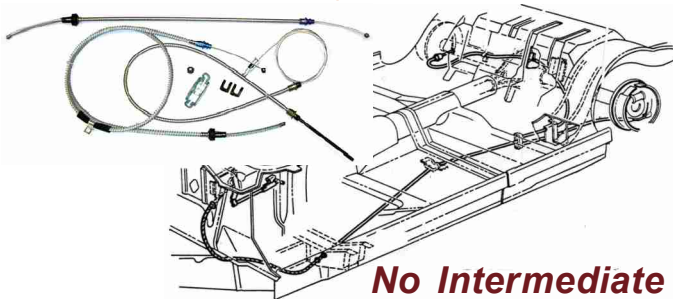
1963-65 B-Body Brake Cables

<u>Parking Brake Cables</u>		<u>Stainless</u>	<u>OE Steel</u>
FT500	Front Cable Parking Cable	\$60.00	\$55.00
IN501	Intermediate Cable Dodge	\$20.00	\$16.00
IN502	Intermediate Cable Plymouth	\$20.00	\$16.00
RE502	Rear Cable, Each	\$55.00	\$50.00
EC0041M2	Mopar Equalizer	\$5.00 OE	\$5.00
EC0042M	Connectors: Inter to Rear, Each	\$5.00 OE	\$5.00
PBK04	Cable Clip 2 Required, Each	\$2.00 OE	\$2.00

(This Car Has No Cable Hook & Guides Built Into FloorPan.)

<u>The Entire Set</u>		<u>Stainless</u>	<u>OE Steel</u>
BSB6301	Complete Cable Set Dodge	\$179.00	\$139.00
BSB6302	Complete Cable Set Plymouth	\$179.00	\$139.00

1967-74 A-Body Brake Cables

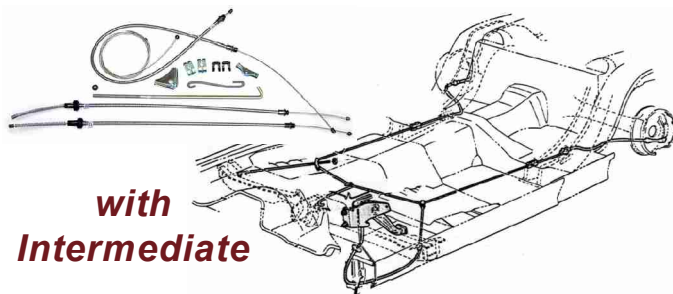


No Intermediate

A-Body Cables Came From the Factory Two Ways (2 Short Rear Cables and Intermediate) Or (1 Short and 1 Long Cable).

<u>Parking Brake Cables</u>		<u>Stainless</u>	<u>OE Steel</u>
FT560	Front Cable Parking Cable	\$65.00	\$55.00
RE561	Rear Cable Short Cable	\$60.00	\$50.00
RE562	Rear Cable Long Cable	\$70.00	\$60.00
EC0041M	Cable Equalizer - No Intermediate	\$7.00OE	\$7.00
PBK04	Cable Clip 2 Required, Each	\$2.00 OE	\$2.00

<u>The Entire Set</u>		<u>Stainless</u>	<u>OE Steel</u>
BSA6701	Complete Cable Set	\$179.00	\$139.00

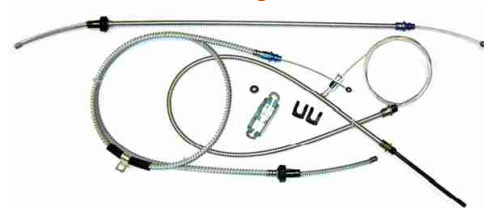


with Intermediate

<u>Parking Brake Cables</u>		<u>Stainless</u>	<u>OE Steel</u>
FT561	Front Cable Parking Cable	\$60.00	\$55.00
IN583	Intermediate Cable	\$20.00	\$16.00
RE563	Rear Cable, Each	\$60.00	\$50.00
MH003	Long Threaded Hook	\$12.50OE	\$12.50
EC0041M2	Mopar Equalizer	\$5.00 OE	\$5.00
EC0042M	Connectors: Inter to Rear, Each	\$5.00 OE	\$5.00
EC0041M1	Cable guide - Front to Center	\$6.00 OE	\$6.00
PBK04	Cable Clip 3 Required, Each	\$2.00 OE	\$2.00

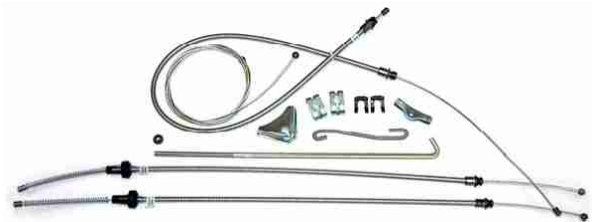
<u>The Entire Set</u>		<u>Stainless</u>	<u>OE Steel</u>
BSA6702	Complete Cable Set w/Inter	\$179.00	\$139.00

1966-70 B-Body Brake Cables



<u>Parking Brake Cables</u>		<u>Stainless</u>	<u>OE Steel</u>
FT510	Front Cable Parking Cable	\$65.00	\$55.00
RE512	Rear Cable Short Cable	\$60.00	\$50.00
RE513	Rear Cable Long Cable	\$80.00	\$70.00
EC0041M	Cable Equalizer - No Intermediate	\$7.00OE	\$7.00
PBK04	Cable Clip 2 Required, Each	\$2.00 OE	\$2.00

<u>The Entire Set</u>		<u>Stainless</u>	<u>OE Steel</u>
BSB6610	Complete Cable Set	\$179.00	\$129.00



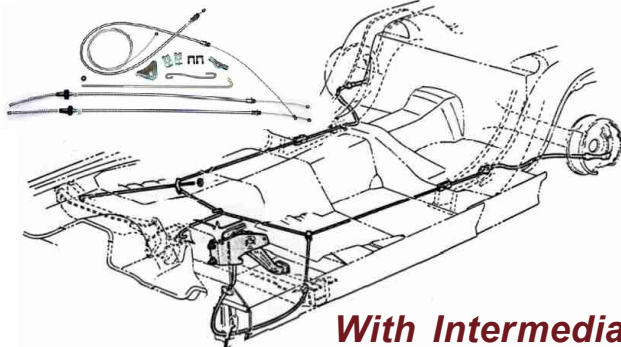
1971-74 B-Body Brake Cables

<u>Parking Brake Cables</u>		<u>Stainless</u>	<u>OE Steel</u>
FT520	Front Cable Parking Cable	\$65.00	\$55.00
IN521	1971-72 Intermediate Cable	\$20.00	\$16.00
IN522	1973-74 Intermediate Cable	\$20.00	\$16.00
RE525	Rear Cable, Each	\$60.00	\$50.00
EC0041M2	Mopar Equalizer	\$5.00 OE	\$5.00
EC0042M	Connectors: Inter to Rear, Each	\$5.00 OE	\$5.00
EC0041M1	Cable Guide - Front to Center	\$6.00 OE	\$6.00
MH002	Short Body / Crossmount Hook	\$7.00OE	\$7.00
MH001	Long Threaded Hook	\$12.50OE	\$12.50
PBK04	Cable Clip 3 Required, Each	\$2.00 OE	\$2.00

<u>The Entire Set</u>		<u>Stainless</u>	<u>OE Steel</u>
BSB7110	71-72 Complete Cable Set	\$179.00	\$139.00
BSB7111	73-74 Complete Cable Set	\$179.00	\$139.00

E-Body Cables Came From the Factory Two Ways (2 Short Rear Cables and Intermediate) Or (1 Short and 1 Long Cable).

1970-74 E-Body Brake Cables

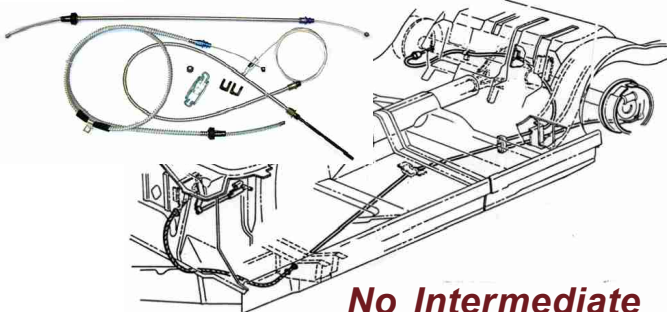


With Intermediate

<u>Parking Brake Cables</u>		<u>Stainless</u>	<u>OE Steel</u>
FT554	Front Cable, Cuda w/Inter	\$65.00	\$55.00
FT550	Front Cable, Challenger w/Inter	\$65.00	\$55.00
IN551	Intermediate Cable 85" Cuda	\$20.00	\$16.00
IN551a	Intermediate Cable 86" Challenger	\$20.00	\$16.00
RE552	Rear Cable Short - Cars with Inter	\$59.00	\$49.00
EC0041M2	Mopar Equalizer	\$5.00 OE	\$5.00
EC0042M	Connectors: Inter to Rear, Each	\$5.00 OE	\$5.00
EC0041M1	Cable guide - Front to Center	\$6.00 OE	\$6.00
MH002	Short Body / Crossmount Hook	\$7.00OE	\$7.00
MH001	Long Threaded Hook	\$12.50OE	\$12.50
PBK04	Cable Clip 3 Required, Each	\$2.00 OE	\$2.00

<u>The Entire Set</u>		<u>Stainless</u>	<u>OE Steel</u>
BSH7001	Complete Set Cuda w/Inter	\$179.00	\$129.00
BSH7003	Complete Set Challenger w/Inter	\$179.00	\$129.00

1970-74 E-Body Brake Cables

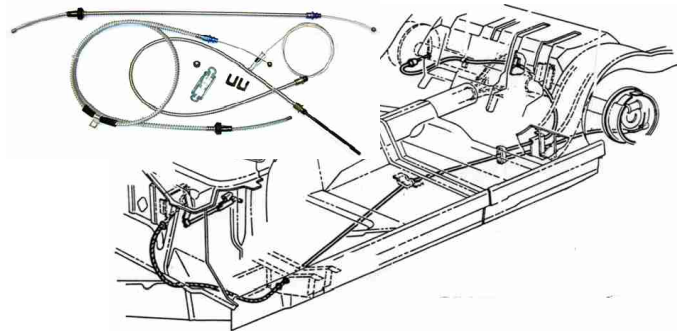


No Intermediate

<u>Parking Brake Cables</u>		<u>Stainless</u>	<u>OE Steel</u>
FT551	Front Cable, Cuda w/o Inter	\$65.00	\$55.00
FT552	Front Cable, Challenger w/o Inter	\$65.00	\$55.00
RE552/ 553	Rear Cable Short	\$110.00	\$99.00
	Rear Cable Long (Pair Only)		
PBK04	Cable Clip 2 Required, Each	\$2.00 OE	\$2.00
EC0041M	Cable Equalizer - No Intermediate	\$7.00 OE	\$7.00

<u>The Entire Set</u>		<u>Stainless</u>	<u>OE Steel</u>
BSH7002	Complete Set Cuda w/o Inter	\$179.00	\$129.00
BSH7004	Complete Set Challenger w/o Inter	\$179.00	\$129.00

1965-66 C-Body Brake Cables



<u>Parking Brake Cables</u>		<u>Stainless</u>	<u>OE Steel</u>
FT570	Front Cable Parking Cable	\$65.00	\$55.00
RE572	Rear Cable Short Cable	\$60.00	\$50.00
RE571	Rear Cable Long Cable	\$85.00	\$65.00
PBK04	Cable Clip 2 Required, Each	\$2.00 OE	\$2.00
EC0041M	Cable Equalizer - No Intermediate	\$7.00OE	\$7.00

<u>The Entire Set</u>		<u>Stainless</u>	<u>OE Steel</u>
BSC6501	Complete Cable Set	\$189.00	\$159.00



All Inline cables are manufactured in a 14,000 sq ft state-of-the-art facility, located in the Motor City.



Inline Tube has all the correct hardware in your cable set or buy it separate, installation is a snap.



Inline tube manufactures the best factory-correct cables on the market, with a spiral housing, rubber dust boots and correct ends, all identical to the factory originals.

Cable Applications



Inline Tube has compiled a list of all the vehicles we make cables for. We receive many new cables in each week. If you do not see your application, please call. If we do not have your application we can make it custom for your car or truck. Call for details.

1966-72 Jeep CJ-5

	<u>Parking Brake Cables</u>	<u>Stainless</u>	<u>OE Steel</u>
FTJ01	66-72 Clutch Cable CJ-5	\$65.00	\$55.00
CEC0047	Cable Clip 2 Required, Each	\$2.00	\$2.00

1976-77 Jeep CJ-5 / CJ-6 / CJ-7

	<u>Parking Brake Cables</u>	<u>Stainless</u>	<u>OE Steel</u>
FTJ08	76-77 Front Cable CJ7	\$65.00	\$55.00
REJ07	76-77 Rear Long - CJ5, CJ6, CJ7 (Need Brackets Off Old Cable)	\$70.00	\$60.00
REJ06	76-77 Rear Short - CJ5, CJ6, CJ7 (Need Brackets Off Old Cable)	\$60.00	\$50.00
CEC0047	Cable Clip 3 Required, Each	\$2.00	\$2.00

1978-86 Jeep CJ-5 / CJ-6 / CJ-7 / CJ-8

	<u>Parking Brake Cables</u>	<u>Stainless</u>	<u>OE Steel</u>
FTJ09	78-83 Front Cable CJ5	\$65.00	\$55.00
FTJ10	78-86 Front Cable CJ7	\$65.00	\$55.00
FTJ11	81-86 Front Cable CJ8	\$65.00	\$55.00
REJ12	81-86 Rear Long - CJ7, CJ8	\$65.00	\$60.00
REJ13	81-86 Rear Short - CJ7, CJ8	\$60.00	\$50.00
REJ14	81-83 Rear Long - CJ5	\$70.00	\$60.00
REJ15	81-83 Rear Short - CJ5	\$60.00	\$50.00
REJ16	78-80 Rear Long - CJ5, CJ6, CJ7	\$70.00	\$60.00
REJ17	78-80 Rear Short - CJ5, CJ6, CJ7	\$60.00	\$50.00
CEC0047	Cable Clip 3 Required, Each	\$2.00	\$2.00

	<u>The Entire Set</u>	<u>Stainless</u>	<u>OE Steel</u>
BSJ8100	78-80 Complete Cable Set CJ-7	\$199.00	\$149.00
BSJ8101	81-86 Complete Cable Set CJ-7	\$199.00	\$149.00
BSJ8102	81-86 Complete Cable Set CJ-8	\$199.00	\$149.00
BSJ8103	81-83 Complete Cable Set CJ-5	\$199.00	\$149.00
BSJ8104	78-80 Complete Cable Set CJ-5	\$199.00	\$149.00

1987-93 Jeep Wrangler YJ

	<u>Parking Brake Cables</u>	<u>Stainless</u>	<u>OE Steel</u>
REJ20	Rear Cable, Long - Wrangler YJ	\$70.00	\$65.00
REJ21	Rear Cable, Short - Wrangler YJ	\$65.00	\$55.00
CEC0047	Cable Clip 3 Required, Each	\$2.00	\$2.00

1995-02 Jeep Wrangler TJ

	<u>Parking Brake Cables</u>	<u>Stainless</u>	<u>OE Steel</u>
REJ22	Rear Cable - Wrangler TJ	\$80.00	\$65.00
CEC0047	Cable Clip 3 Required, Each	\$2.00	\$2.00



Inline Tube has thousands of cables in stock, so your order ships in 24-48 hours and is at your door step in a few days.



Need help placing your order? Our trained sales staff can answer any brake related question before you place your order.

1977-80 Jeep Truck J-10

1977-80 Jeep Cherokee

	<u>Parking Brake Cables</u>	<u>Stainless</u>	<u>OE Steel</u>
FTJ30	Front Cable	\$70.00	\$60.00
INJ30	Inter Cable	\$25.00	\$18.00
REJ30	Rear Cable J-10, Each	\$70.00	\$60.00
REJ31	Rear Cable J-20, Each (Has Bolt-On Brackets)	\$75.00	\$60.00
CEC0047	Cable Clip, Each	\$2.00	\$2.00

1981-85 Jeep Truck J-10

	<u>Parking Brake Cables</u>	<u>Stainless</u>	<u>OE Steel</u>
FTJ40	Front Cable	\$70.00	\$60.00
INJ40	Inter Cable	\$25.00	\$18.00
REJ40	Rear Cable J-10, Each	\$80.00	\$70.00
CEC0047	Cable Clip, Each	\$2.00	\$2.00

Other Listings Available Please Call

1990-91 Jeep Cherokee

	<u>Parking Brake Cables</u>	<u>Stainless</u>	<u>OE Steel</u>
REJ60	Rear Cable, Each	\$80.00	\$65.00
CEC0047	Cable Clip, Each	\$2.00	\$2.00

1993-96 Jeep Cherokee

	<u>Parking Brake Cables</u>	<u>Stainless</u>	<u>OE Steel</u>
REJ70	Rear Cable, Each	\$80.00	\$65.00
CEC0047	Cable Clip, Each	\$2.00	\$2.00

1978-80 International Scout

	<u>Parking Brake Cables</u>	<u>Stainless</u>	<u>OE Steel</u>
FTS01	1980 Front Cable	\$80.00	\$65.00
RES01	1980 Scout Rear Cable	145.00	\$130.00
RES02	1978 Scout Rear Cable	\$145.00	\$130.00
CEC0047	Cable Clip 2 Required, Each	\$2.00	\$2.00

When ordering **Stainless Steel cables**, please place an "S" in front of the part number.

1978-79 Dodge Truck 2wd Little Red Express

	<u>Parking Brake Cables</u>	<u>Stainless</u>	<u>OE Steel</u>
REJ40	Rear Cable, Short Each	\$80.00	\$65.00
REJ41	Rear Cable, Long Each	\$90.00	\$75.00
CEC0047	Cable Clip, Each	\$2.00	\$2.00

1997-2002 Dodge Dakota

	<u>Parking Brake Cables</u>	<u>Stainless</u>	<u>OE Steel</u>
REJ42	97-99 Rear Cable, Short Each	\$80.00	\$65.00
REJ43	97-99 Rear Cable, Long Each	\$80.00	\$65.00
REJ44	00-02 Rear Cable, Short Each	\$80.00	\$65.00
REJ45	00-02 Rear Cable, Long Each	\$80.00	\$65.00